

Emergency Release Levers

Electric garage door openers are usually equipped with an emergency release lever. This lever typically has a cord hanging down that allows you to open the door manually in case of an emergency or power outage. While these emergency release levers are convenient, a savvy intruder can slide a coat-hanger or other sturdy wire between the door and the frame, hook the emergency release lever and easily open the garage door. Here are a couple of things you can do to help prevent burglars from getting into your garage using the lever.

- Disable your emergency release lever and remove the emergency cord. They may be convenient, but can be pulled from the outside with a hanger or other device. (FIGURE A)
- Always lock the release lever. Some garage door openers have this as an option, but if your lever doesn't have a keyed lock, use a plastic zip tie to secure the lever to the carriage assembly. (FIGURE B)

FIGURE B

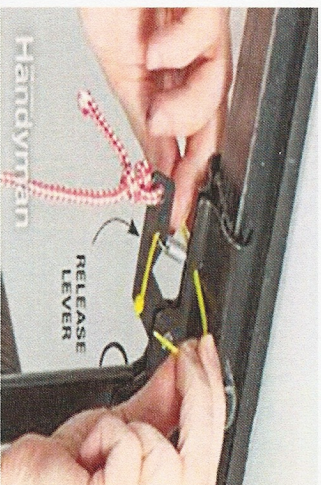
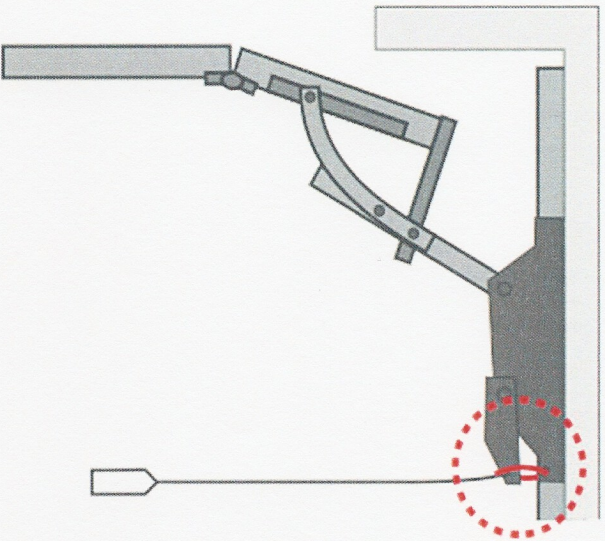


FIGURE A

